



sheet + panel cleaner SC/RSC



- The most effective method of removing particle contamination from sheets and panels
- 97%+ effective on particles down to 0.5 micron
- Optimise your product yield and quality
- Dramatically reduce scrap and rework
- Continuous process audit tool
- Running cost <€5 per shift

ROI in weeks - Profit for years

Designed and made in Scotland

Applications

- Films
- Panels
- Glass
- Flat substrate
- 15cm² to 100cm²

Before

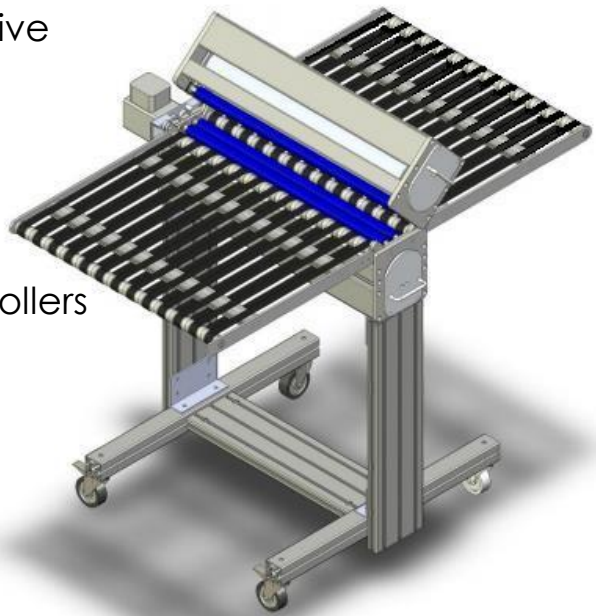
- Lamination
- Exposure
- AOI
- Lay-up
- Drilling
- Electrical test

Capabilities

- 300 to 1000mm width, effective
- 20 microns to 5mm thick*

Features

- 4 BlueMAX particle pick-up rollers
- Tiltback top roller access
- Adhesive roll pull-out access
- Variable speed



Options

Conveyors, catch trays
Static neutralisation
PLC control
Auto-reverse
Stands



Yieldmax Ltd, FK8 3DL UK. T:+44 1786 870548. F:+44 709 230 4131

YieldMAX is a registered trademark of YieldMAX Ltd.