

UNLESS OTHERWISE SPECIFIED:
 DIMENSIONS ARE IN MILLIMETERS
 SURFACE FINISH:
 TOLERANCES:
 LINEAR:
 ANGULAR:

DEBUR AND
 BREAK SHARP
 EDGES

DO NOT SCALE DRAWING

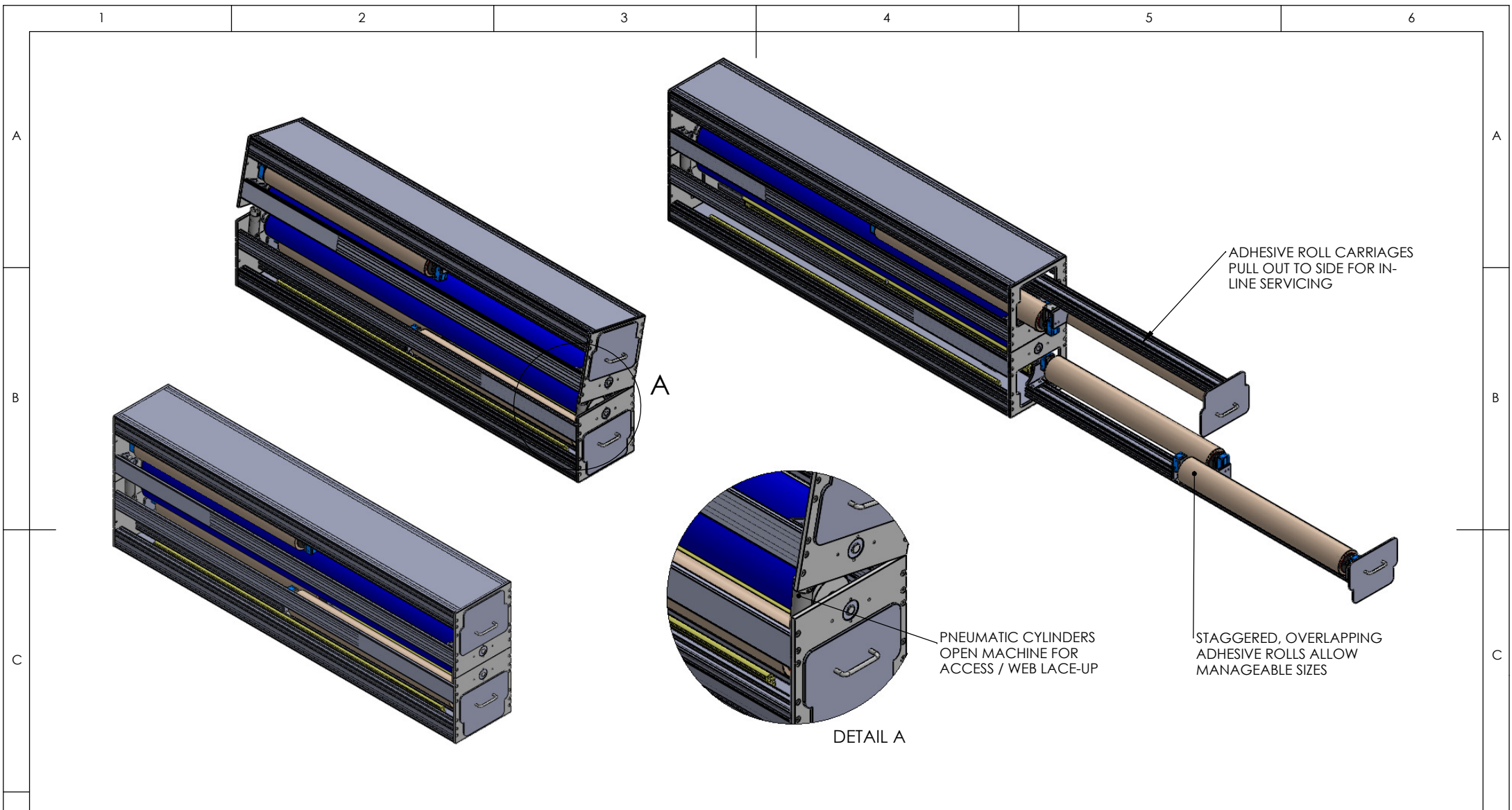
A4



WIDE WEB DOUBLE SIDE TWIN

DRAWN	NAME	SIGNATURE	DATE	MATERIAL:
	C.W.Kennedy		07.04.12	
				FINISH:
				WEIGHT:

TITLE:	WDST	REVISION
DWG NO.		
SCALE:1:15	SHEET 1 OF 2	



UNLESS OTHERWISE SPECIFIED:
 DIMENSIONS ARE IN MILLIMETERS
 SURFACE FINISH:
 TOLERANCES:
 LINEAR:
 ANGULAR:

DEBUR AND
 BREAK SHARP
 EDGES

DO NOT SCALE DRAWING

A4



WIDE WEB DOUBLE SIDE TWIN

DRAWN	NAME	SIGNATURE	DATE	MATERIAL:
	C.W.Kennedy		07.04.12	
				FINISH:
				WEIGHT:

TITLE:	WDST		REVISION
DWG NO.			
SCALE:1:10	SHEET 2 OF 2		